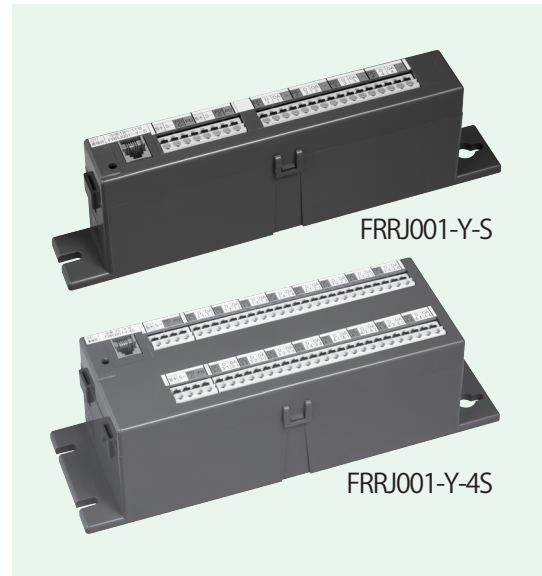


FRRJ001-Y-S FRRJ001-Y-4S

**ADDRESSABLE MODULE, WET OUTPUT TYPE
1-ADDRESS W/4-CIRCUIT, 4-ADDRESS W/16-CIRCUIT**

Features

- 1 address with 4 circuits, 4 addresses with 16 circuits
- NFPA Class A (Styles 6 & 7) and Class B (Style 4) for SLC
- Return signal per circuit for device activation confirmation
- Circuits applicable to input signals
- Electronic address setting
- Slim unit
- Easy installation



Description

The Addressable Modules, Wet Output Type, 1 Address with 4 Circuits, 4 Addresses with 16 Circuits provide programmable sources of power to control and operate output devices including notification appliances and releasing devices.

The FRRJ001-Y-S has 1 address with 4 circuits per unit, so that 4 different circuits can be controlled under 1 address number. The FRRJ001-Y-4S has 4 addresses with 16 circuits per unit, so that 4 different circuits can be controlled under 1 address number. Each circuit of the FRRJ001-Y-S and the FRRJ001-Y-4S has the functionality to receive a return signal from the connected device, which is used to confirm the activation of the connected device. These circuits can also be used to have input signals

The FRRJ001-Y-S and the FRRJ001-Y-4S are slim units and can be installed easily.

Ordering Information

Model no. FRRJ001-Y-S
Model no. FRRJ001-Y-4S

Specifications

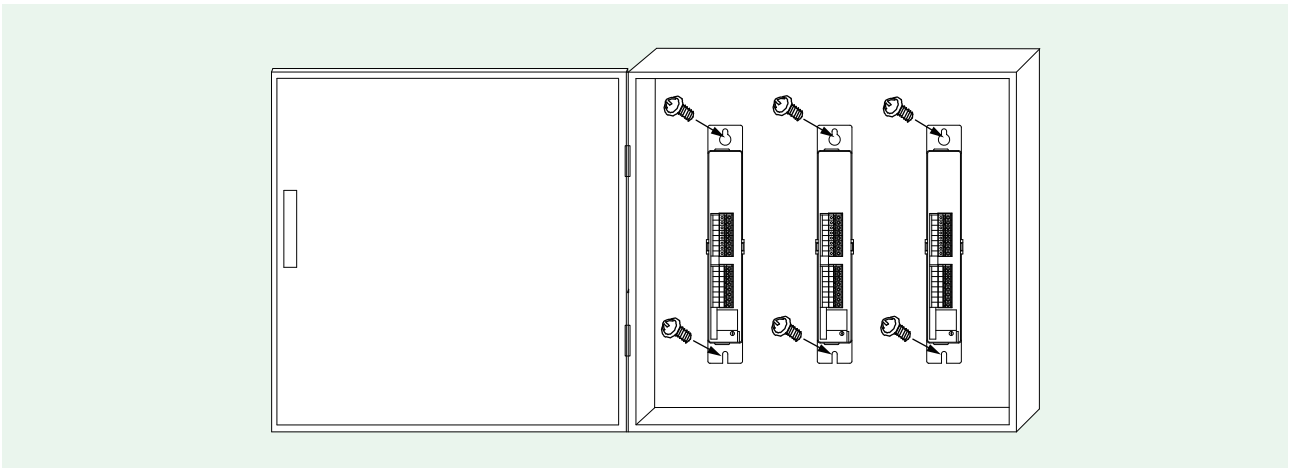
No.	Item	Specification
1	Rated voltage range of SLC input power (S+,S-)	24.0V
2	Maximum SLC 24 VDC standby current (S+,S-)	250μA
3	Applicable SLC wiring style	NFPA Style 4, 6, and 7
4	Rated voltage of external power line (PD, PDC)	24.0V
5	Rated voltage of output circuits (D, DC)	24.0V
6	Number of address and circuit per unit	1 address with 4 circuits for FRRJ001-Y-S 4 addresses with 16 circuits for FRRJ001-Y-4S
7	Maximum voltage output per circuit	2A
8	Contact type of return signal (DA)	Dry contact, typical form A
9	Operating temperature range	-10°C to 50°C (14°F to 122°F)
10	Operating relative humidity range	20 to 85% (non-condensing)
11	Dimensions	FRRJ001-Y-S: 68mm (2.68 inches)(H)×232mm (9.13 inches) (W)×34mm (1.34 inches) (D) FRRJ001-Y-4S: 68mm (2.68 inches)(H)×232mm (9.13 inches) (W)×74mm (2.91 inches) (D)

Setting the Address

Each addressable module, smoke detector, heat detector and combination detector must have the address set before connecting the device to the Signaling Line Circuit (SLC) loop. The address is set using the hand-held device programmer or the addressing feature on the control panel.

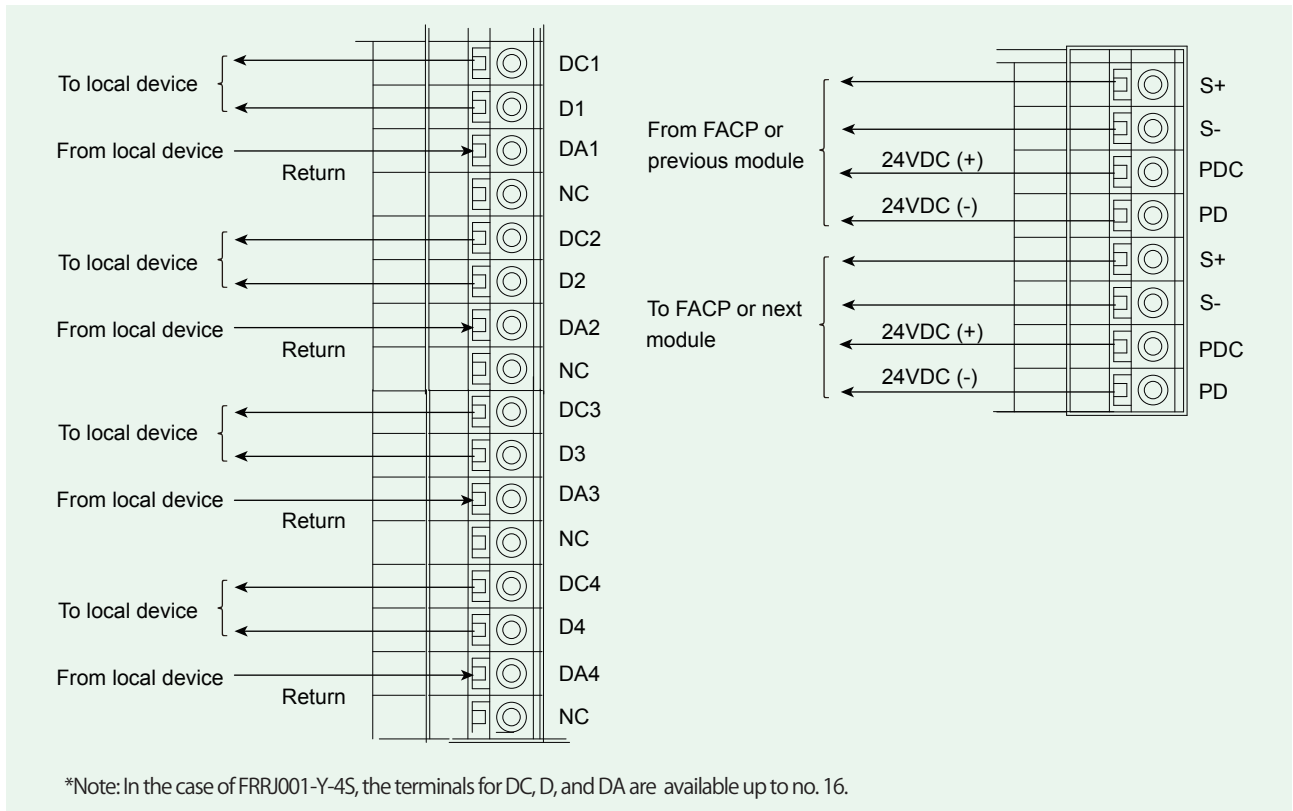
Installation

Figure 1: Installation in an electrical enclosure



Wiring Diagram

Figure 2: Wiring diagram of FRRJ001-Y-S



NOTE

- The information contained herein does not purport to cover all the details or variations of the equipment described, nor to provide for every possible contingency that may be met in connection with its installation, operation or maintenance.
- Specifications are subject to change without notice. Contact Nohmi before relying on the information.
- Actual performance is based on proper application of the product by a qualified professional.
- Should further information be required or should particular concerns arise that are not covered sufficiently for the purchaser's purposes, the matter should be referred to Nohmi or your nearest distributor.

NOHMI
NOHMI BOSAI LTD.

• Head Office: 4-7-3 Kudan-Minami, Chiyoda-ku, Tokyo
102-8277, Japan
• Phone: (81)3-3265-0231
• F A X: (81)3-3265-5348
URL <http://www.nohmi.co.jp/english/>

Contact