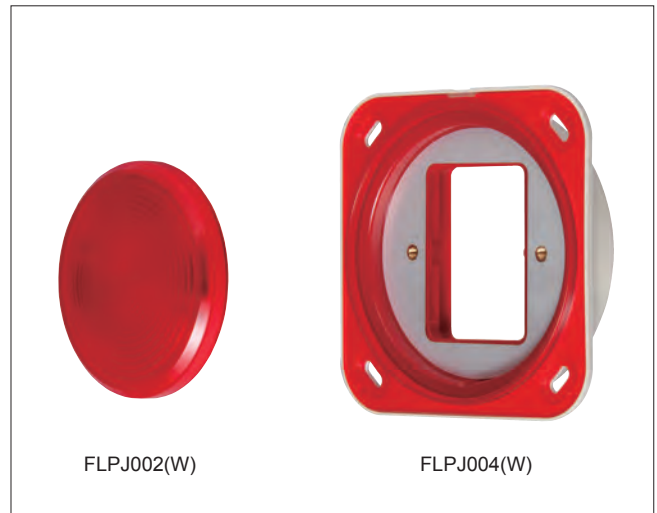


LOCATION LAMP

FLPJ SERIES

FEATURES

- Cutting-edge new design
- Noticeable red color
- Low current and high durability
- Low-voltage operation
- Wide and high visibility
- Non-combustible and self-extinguishing materials
- Outdoor type available



DESCRIPTION

NOHMI's high-performance location lamps model FLPJ002(W) and FLPJ004(W) are used for, but not limited to, notifying occupants of the location of a manual fire alarm box.

The location lamps were designed based on a new concept considering functionality, accessibility, and usability. Thanks to the new design concept, the ring-shaped location lamp FLPJ004(W) won the Japan Good Design Gold Award 2014 together with the compact-shaped FMMN, FMRN, and FMBN SERIES manual fire alarm boxes.

The location lamp FLPJ004(W) is installed together with the compact manual fire alarm box, which is

positioned around the manual alarm box so that the exact location of the manual alarm box can be found even in dark places. The flat-shaped location lamp FLPJ002(W) should be installed on the wall just above a manual fire alarm box, to be clearly seen at a position within 10 meters from the location lamp.

These location lamps without using any fragile materials are provided with a red LED lamp per unit as a light source, which has light-emitting diodes in it.

These location lamps can be repeatedly turned on and off within a short interval of time to indicate the hydrant pump starting by using together with the NOHMI hydrant pump starter relay box.

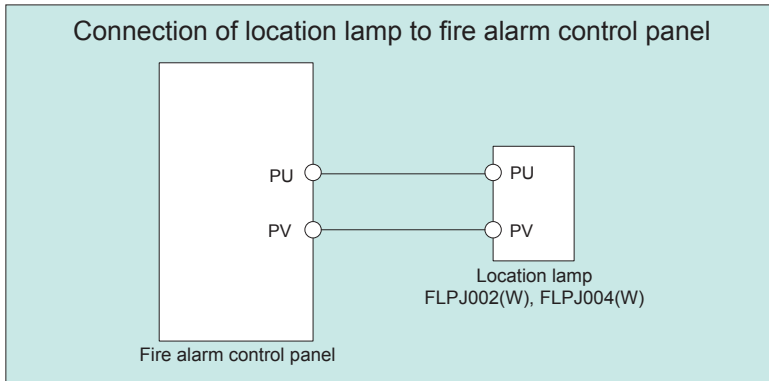
SPECIFICATIONS

MODEL NO.	FLPJ002	FLPJ002-W	FLPJ004	FLPJ004-W
USE SPECIFICATIONS	Indoor	Outdoor	Indoor	Outdoor
LIGHT SOURCE	Red LED lamp			
RATE VOLTAGE	20 to 35VDC/AC			
RATED CURRENT	15mA			
AMBIENT TEMPERATURE	-10 to 50°C			
MAIN MATERIAL	Polycarbonate resin (self-extinguishable)			
WEIGHT	Approx. 57g	Approx. 66g	Approx. 92g	Approx. 93g

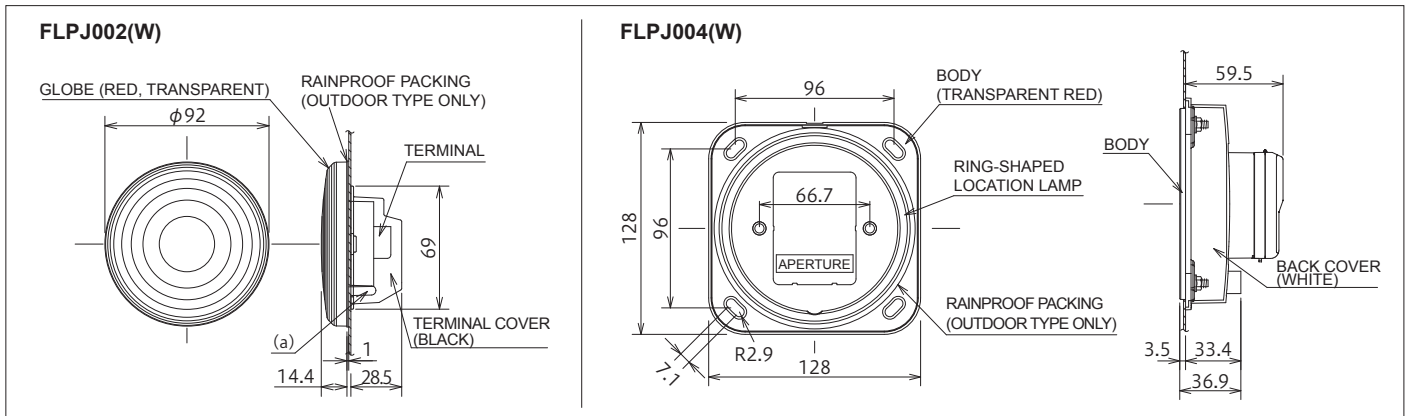
NOHMI BOSAI LTD.

● HEAD OFFICE: 7-3, Kudan-Minami 4-chome, Chiyoda-ku, Tokyo 102-8277, Japan ● PHONE: (81)3-3265-0231 ● FAX: (81)3-3265-5348

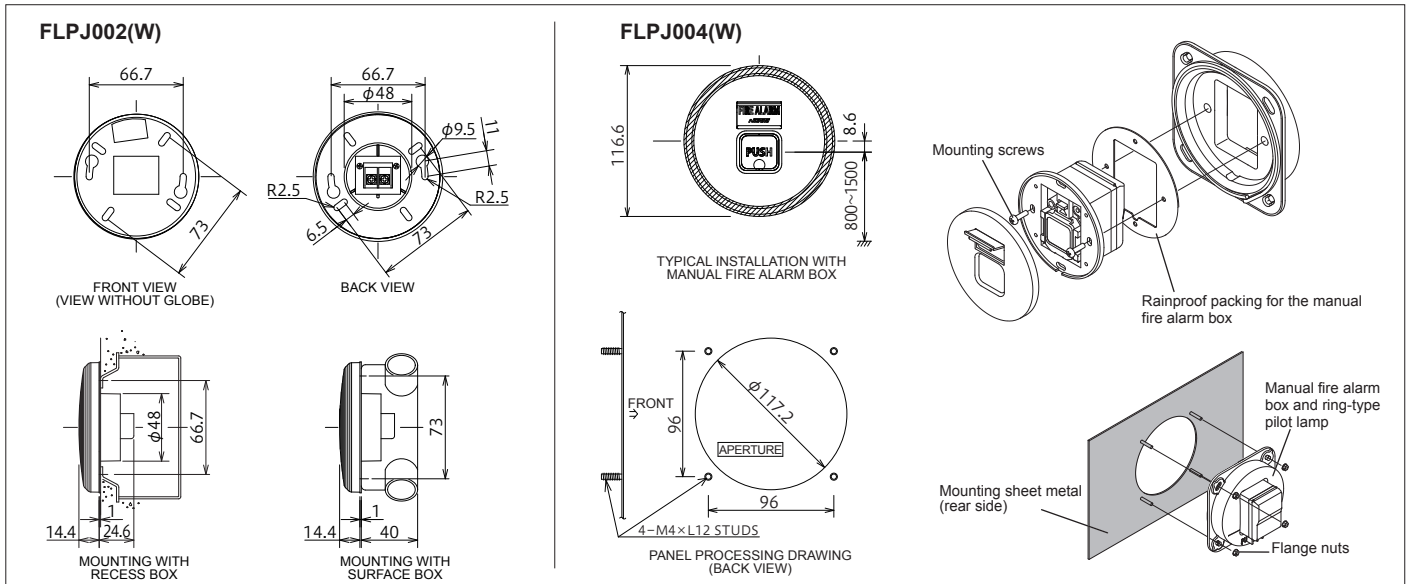
TYPICAL WIRING DIAGRAM



DIMENSIONS



INSTALLATION



- These instructions do not purport to cover all the details or variations in the equipment described, nor provide for every possible contingency to be met in connection with installation, operation, and maintenance.
- Specifications are subject to change without notice. Contact NOHMI before relying on the above specifications.
- Actual performance is based on proper application of the product by a qualified professional.
- Should further information be desired or should particular problems arise, which are not covered sufficiently for the purchaser's purposes, the matter should be referred to NOHMI or a distributor in your region.

NOHMI

NOHMI BOSAI LTD.

● HEAD OFFICE : 7-3, Kudan Minami 4-chome,
Chiyoda-ku, Tokyo 102-8277, Japan

● PHONE: (81)3-3265-0231

● F A X: (81)3-3265-5348

● U R L: <http://www.nohmi.co.jp/english/>