

# FIRE ALARM PANEL

# FAPN202-R-5L

## FEATURES

- Conventional type 5 fire zones (No programming required)
- Alarm verification type (Alarm verification time: 60 seconds)
- Various test functions: fire indication test, alarm verification time test, auxiliary power supply test, automatic after-test resetting
- Self diagnosis system
- Misoperation inhibit function
- Back-up power supply (Ni-Cd battery, 24VDC)
- Large fire alarm symbol for easy visual recognition
- Durable LED indicators
- Removable front cover for easy installation and maintenance
- Built-in surge arrester for power lines

## DESCRIPTION

On receiving a fire signal from a fire detector or a manual alarm box, the FAPN202-R-5L conventional fire alarm panel produces visual alarms indicating the alarm point, as well as sounding an audible alarm to alert the alarm panel operator. It also produces alarms to alert the occupants of the building premises.

The FAPN202-R-5L conventional fire alarm panel indicates the alarm points on individual zone lamps.



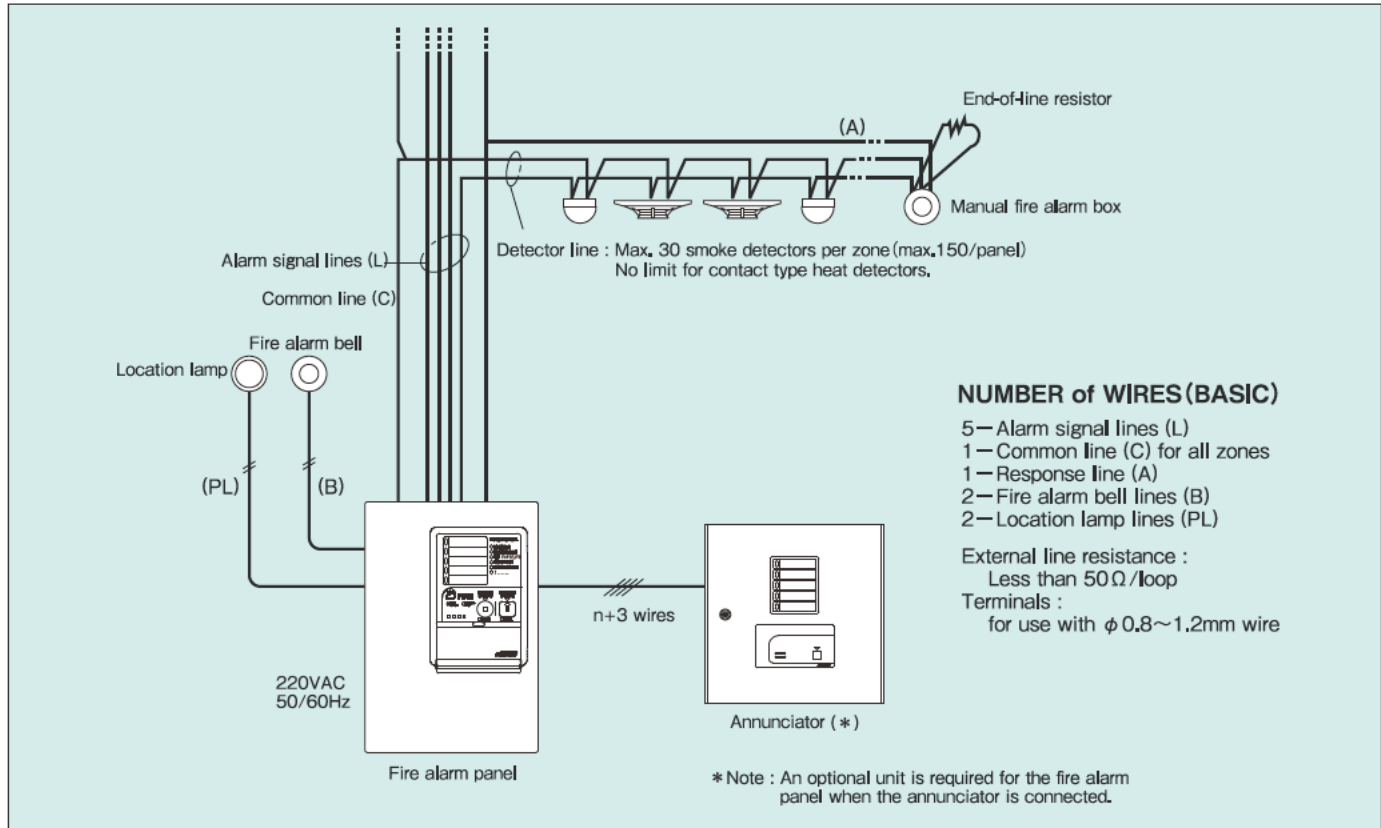
## SPECIFICATIONS

MODEL NO.	FAPN202-R-5L
TYPE	Conventional type
POWER SUPPLY	220VAC 50/60Hz
AUXILIARY POWER SUPPLY	Ni-Cd battery(24VDC, 0.45Ah)
CIRCUIT VOLTAGE	5,24,48VDC, 24VAC
ALARM VERIFICATION TIME	Thermal detector: 10sec.; Smoke detector: 60sec.
POWER CONSUMPTION	Monitoring: 25VA max. approx. Alarm: 40VA max. approx.
MAXIMUM NUMBER OF DEVICES SUPPORTED	Spot type smoke detectors : 30/zone (max. 150/panel) Alarm bells : 15 (24VDC, 10mA/bell) Location lamps : 5 (30V, 2W/lamp) 15 (24V, 24mA/LED) 21 (24V, 15mA/LED)
AMBIENT TEMPERATURE AND HUMIDITY	0 to 40°C , 20 to 85% (RH)
ALARM INPUT CIRCUIT LOOP RESISTANCE	Less than 50 Ω /loop
END-OF-LINE RESISTOR	10kΩ, 1/2W
MATERIALS (ENCLOSURE)	ABS resin with 94UL-V2 flammability rating
COLOR	Off-white(Nohmi White): approximating Munsell N8.7 or equivalent
WEIGHT	Approx. 3kg

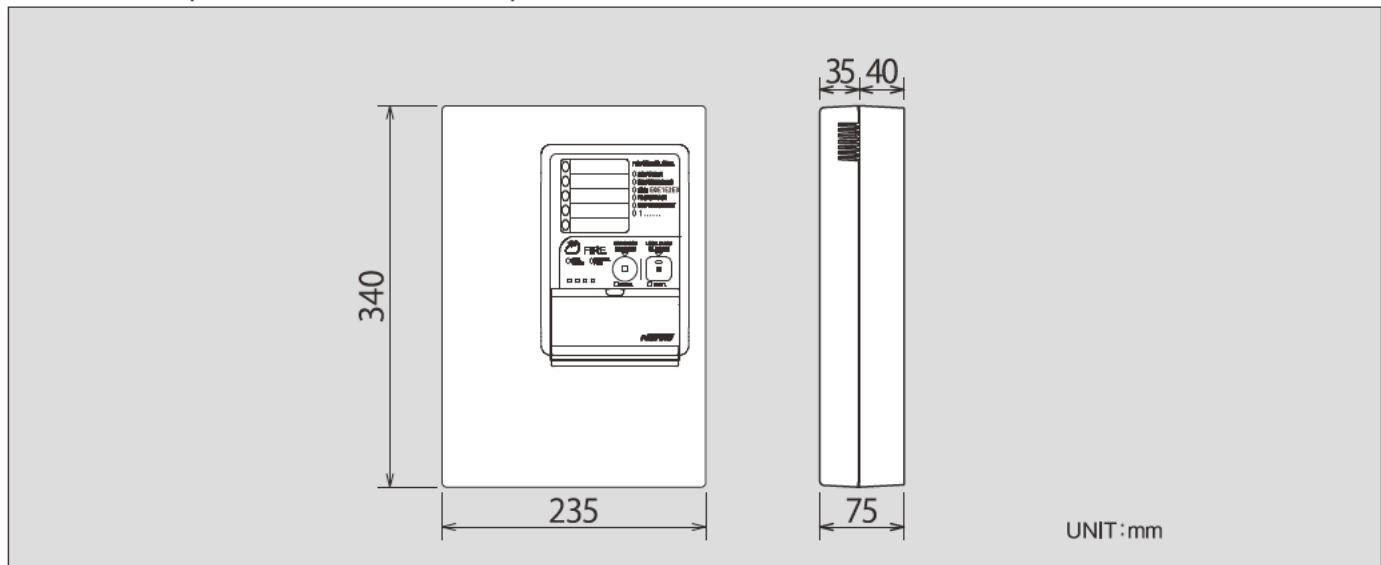
# NOHMI BOSAI LTD.

● HEAD OFFICE: 7-3, Kudan-Minami 4-chome, Chiyoda-ku, Tokyo 102-8277, Japan ● PHONE: (81) 3-3265-0231 ● FAX: (81) 3-3265-5348

## TYPICAL WIRING DIAGRAM



## DIMENSIONS (WALL MOUNTED TYPE)



### NOTE

- The information contained herein does not purport to cover all the details or variations of the equipment described, nor to provide for every possible contingency that may be met in connection with its installation, operation or maintenance.
- Specifications are subject to change without notice. Contact Nohmi before relying on the information.
- Actual performance is based on proper application of the product by a qualified professional.
- Should further information be required or should particular concerns arise that are not covered sufficiently for the purchaser's purposes, the matter should be referred to Nohmi or your nearest distributor.

**NOHMI**  
NOHMI BOSAI LTD.

● HEAD OFFICE : 7-3, Kudan Minami 4-chome,  
Chiyoda-ku, Tokyo 102-8277, Japan

● PHONE : (81)3-3265-0231

● FAX : (81)3-3265-5348

● URL : <http://www.nohmi.co.jp/english/>