

FIRE ALARM PANEL

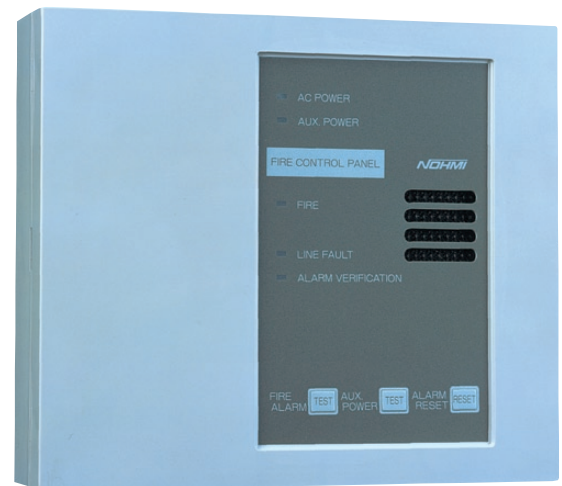
FAP230N-1L

FEATURES

- Conventional type
- Alarm Verification type (Alarm verification time : 60seconds)
- Various test functions : fire indication test, auxiliary power supply test and alarm verification time test.
- Durable LED indications
- Back-up power supply (Ni-Cd battery, 24VDC)
- Easy maintenance
- Automatic self-checking system

DESCRIPTION

On receiving a fire signal from a fire detector or a manual alarm box, the FAP 230N-1L conventional fire alarm panel gives a visual alarm, as well as an audible alarm, to alert the alarm panel operator. It also produces alarms to alert the occupants of the building premises.

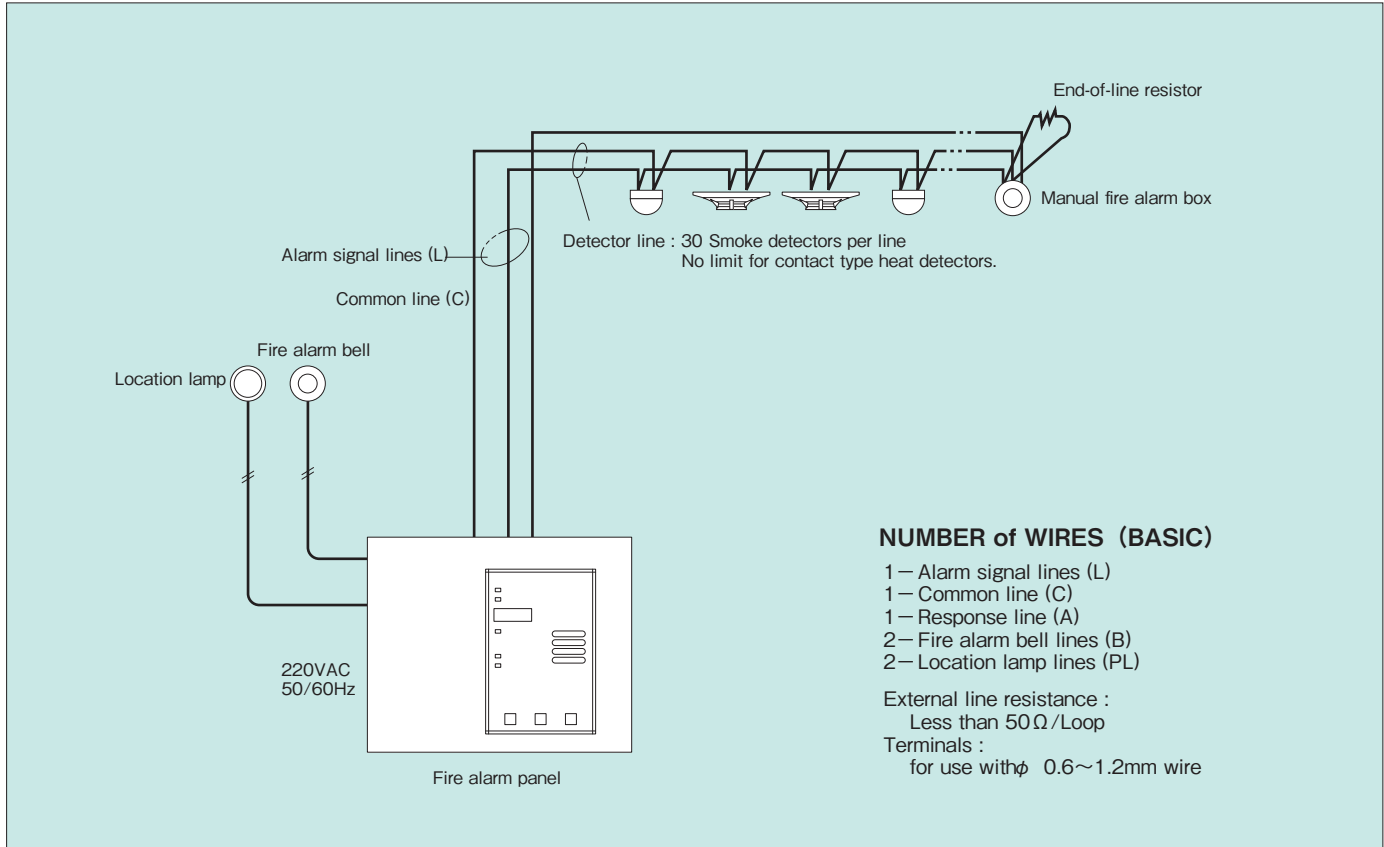
**WALL MOUNTING TYPE****SPECIFICATIONS**

Model No.	FAP230N-1L
TYPE	Wall mounting type
POWER SUPPLY	220VAC 50/60Hz
AUX. POWER SUPPLY	Sealed Ni-Cd battery 0.1Ah
CIRCUIT VOLTAGE	24VDC
ALARM VERIFICATION TIME	Thermal detector 10sec., Smoke detector 60sec.
POWER CONSUMPTION	<ul style="list-style-type: none"> ● Max. approx. : 9VA (In normal condition) ● Max. approx. : 10VA (In alarming condition)
MAX. PERMISSIBLE NUMBER OF APPARATUS TO BE CONNECTED	<ul style="list-style-type: none"> ● Smoke detectors : Up to 30 ● Local alarm bells : Up to 4 (For bell of 24VDC, 10mA) ● Indicator LED : Up to 3 (For 24V, 21mA Light Emitting Diode)
AMBIENT TEMPERATURE	0 to 40°C, 20 to 85%(RH)
RESISTANCE OF ONE DETECTOR LINE	less than 50 Ω / Loop
END-OF-LINE RESISTOR	10kΩ 1/2W
WEIGHT	Approx. 1440g

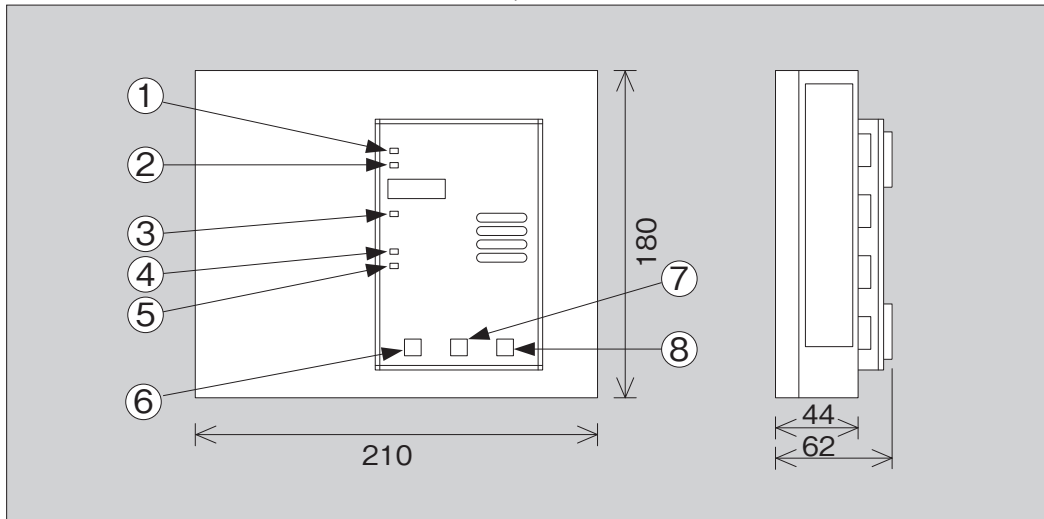
NOHMI BOSAI LTD.

●HEAD OFFICE: 7-3, Kudan-Minami 4-chome, Chiyoda-ku, Tokyo 102-8277, Japan ●PHONE: (81)3-3265-0231 ●FAX: (81)3-3265-5348

TYPICAL WIRING DIAGRAM



DIMENSION (WALL MOUNTING TYPE, FAP230N-1L)



- ①AC POWER-ON LAMP ②AUXILIARY POWER LAMP ③FIRE ALARM LAMP ④LINE FAULT LAMP
⑤ALARM VERIFICATION LAMP ⑥ALARM TEST SWITCH ⑦AUX. POWER TEST SWITCH ⑧ALARM RESET SWITCH

- These instructions do not purport to cover all the details or variations in the equipment described, nor provide for every possible contingency to be met in connection with installation, operation and maintenance.
- Specifications are subject to change without notice. Contact Nohmi before relying on above specifications.
- Actual performance is based on proper application of the product by a qualified professional.
- Should further information be desired or should particular problems arise, which are not covered sufficiently for the purchaser's purposes, the matter should be referred to Nohmi or a distributor in your region.

NOHMI
NOHMI BOSAI LTD.

- HEAD OFFICE : 7-3, Kudan Minami 4-chome,
Chiyoda-ku, Tokyo 102-8277, Japan
- PHONE : (81)3-3265-0231
- F A X : (81)3-3265-5348
- U R L : <http://www.nohmi.co.jp/english/>