

# Detector Base FZBU Series

## FZBU004 - AB4 4 INCHES DETECTOR BASE

## FZBU013 - 2Z / FZBU013 - 4Z 4 INCHES DETECTOR BASE 4 INCHES DETECTOR BASE



### Features

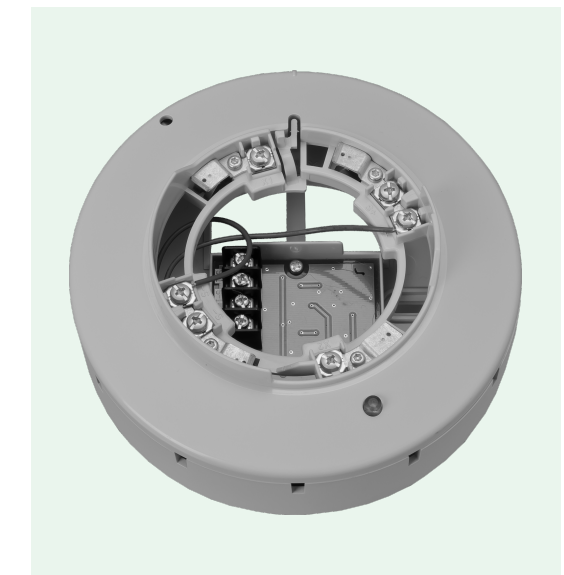
- Intuitive terminal making to assist with installation
- Wall mount to single, double gang, octagon or 4 inches square
- 14 to 22 AWG wire applicable



### Description

The 4 inches Detector Bases (FZBU004-AB4/FZBU013-2Z/FZBU013-4Z) are used to mount the smoke or heat detector to the electrical back box. The FZBU004-AB4/FZBU013-2Z/FZBU013-4Z terminals are intuitively marked for easy installation and quick connection. The bases will accept 14 to 22 AWG wire. The FZBU004-AB4/FZBU013-2Z/FZBU013-4Z offers a wide coverage area to completely cover the back box and the surrounding surface. The FZBU004-AB4/FZBU013-2Z/FZBU013-4Z will mount on a single gang, double gang, octagon or 4 inches square box.

## FZBU005 - AIB ADDRESSABLE ISOLATOR BASE



### Features

- Isolator integrated into base
- Self restoring
- Amber LED indication of short circuit



### Description

The Addressable Isolator Base 6 inches (FZBU005-AIB) is a base with an integrated isolator module included. The base has a locking feature for the detector that may be used or removed in the field. Once the head is removed, the isolator is accessible in the bottom of the unit. The isolator will open the Signal Line Circuit (SLC) down stream when a short circuit is detected. This will provide devices between the control panel and the isolator to continue to operate. The short is indicated by a steady amber LED and once the short is removed the unit will return to normal operation.

### Specifications

Specification of FZBU004-AB4/ FZBU013-2Z/FZBU013-4Z (4 inches Detector Bases)

No.	Item	Specification		
		FZBU004-AB4	FZBU013-2Z	FZBU013-4Z
1	Installation temperature range	0°C to 66°C (32°F to 150°F)		
2	Operating relative humidity range	0% to 93% (Non-condensing)		
3	Dimensions	Height	22.7mm (0.89 inch)	20.8mm (0.82 inch)
		Diameter	100mm (4 inches)	100mm (4 inches)
4	Remote Indication Circuit	Yes	No	Yes
5	Color	Eggshell White		

Common Specification of FZBU005-AIB / ASB

No.	Item	Specification
1	Working voltage range for SLC	22.0 to 24.0 V
2	Standby current for SLC*	250 μA
3	Installation temperature range	0°C to 49°C (32°F to 120°F)
4	Operating relative humidity range	0% to 93% (Non-condensing)
5	Color	Eggshell White
6	Dimensions (without detector)	Height 54.4mm (2.13 inches)
		Diameter 150mm (6 inches)

\*The standby current is the current that the device consumes when the device is in a non-activated condition and where no communication current is transmitted to the fire alarm control panel.

FZBU005-AIB (Isolator Base)

No.	Item	Specification	
1	Active current (Including indicator)	1.85 mA D.C. (max.)	
2	Active indicator	1 LED (yellow)	
3	Applicable SLC wiring style	NFPA Style 4,6 and 7	
4	Resistance of wiring after an FZBU005-AIB in Style 4	10 Ω (max.)	
5	Resistance of wiring between an FZBU005-AIB and the next FZBU005-AIB in Style 6 or 7	10 Ω (max.)	
6	Maximum number of FZBU005-AIBs per SLC Loop	Style 4	Number of points of panel divided by 8
		Style 6 and 7	Number of points of control panel
7	Maximum number of addressable devices connected to an FZBU005-AIB	50 units	

FZBU005-ASB (Addressable Sounder Base)

No.	Item	Specification
1	Working voltage range for 24V	19.0 to 28.0 V
2	Active current for 24V (Include indicator)	100 mA D.C.
3	Sound pressure level	85dB/3m (min.) as per CAN/ULC-S525
		75dB/3.1m(10 feet) (min.) as per UL464
4	Start-up time	Max. 1 sec.

### NOTE

- The information contained herein does not purport to cover all the details or variations of the equipment described, nor to provide for every possible contingency that may be met in connection with its installation, operation or maintenance.
- Specifications are subject to change without notice. Contact Nohmi before relying on the information.
- Actual performance is based on proper application of the product by a qualified professional.
- Should further information be required or should particular concerns arise that are not covered sufficiently for the purchaser's purposes, the matter should be referred to Nohmi or your nearest distributor.

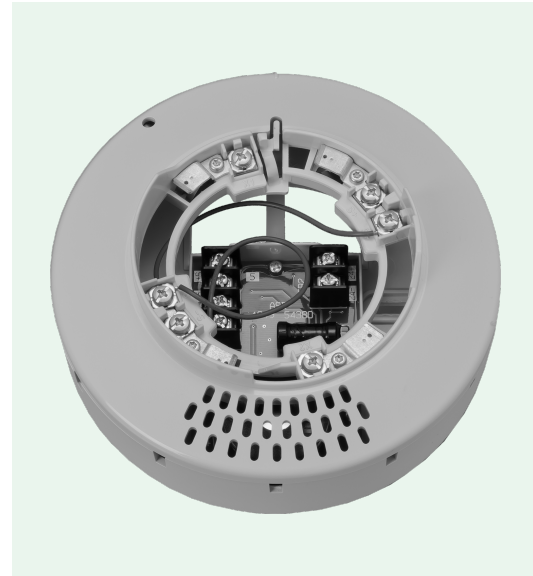
**NOHMI**  
NOHMI BOSAI LTD.

- Head Office: 4-7-3 Kudan-Minami, Chiyoda-ku, Tokyo 102-8277, Japan
- Phone: (81)3-3265-0231
- F A X: (81)3-3265-5348
- URL <https://www.nohmi.co.jp/english/>

Contact

## FZBU005 - ASB

### ADDRESSABLE SOUNDER BASE



#### Features

- Integrated sounder in base
- 75 dB (UL 464 listed)
- Sounder independent of detector
- May be mapped to any device connected to the control panel



#### Description

The Addressable Sounder Base 6 inches (FZBU005-ASB) is a sounder base that may be utilized in a variety of applications. The base has a locking feature for the detector that may be used or removed in the field. Once the head is removed, the sounder is accessible in the bottom of the unit.

The base has an independent sounder that can be programmed as a single station, zone or all call sounder. The sounder produces a minimum of 75 dB at 3.1m (10 feet). The FZBU005-ASB passes through the sound pattern sent to the sounder, therefore, it may reproduce in any pattern the power supply provides.

The panel will support any combination of detectors or modules on the SLC. The FZBU005-ASB occupies one address on the loop. Once activated the sounder will also follow the input from the power source and de-activate accordingly.

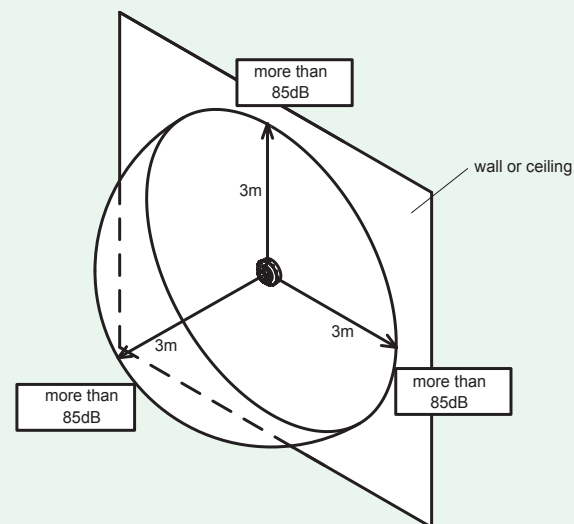
#### Setting the Address for FZBU005 Series

Each addressable module, smoke detector, heat detector and combination detector must have the address set before connecting the device to the Signaling Line Circuit (SLC) loop. The address is set using the hand held device programmer or the addressing feature on the control panel.

#### Sound Pressure level

The sound pressure level is minimum 85dB at anywhere of 3 meter away from the sounder base. This complies with the CAN/ULC-S525 Clauses 7.5 (refer to Figure 1).

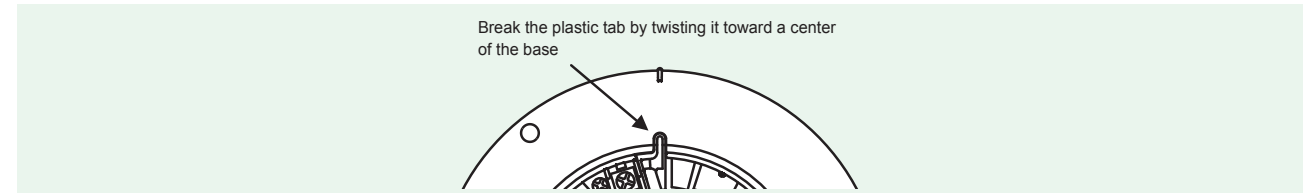
Figure 1: Sound pressure level directional characteristic



#### Locking Feature

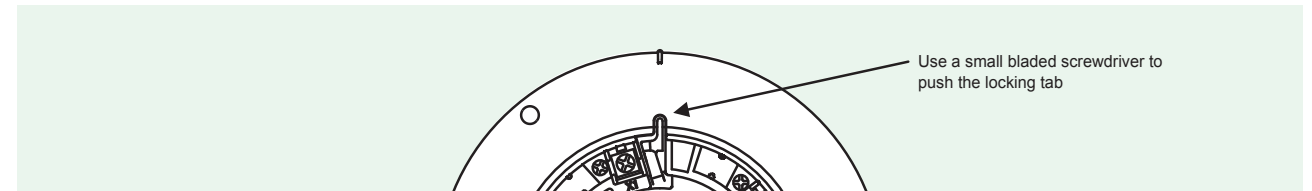
FZBU series include a locking feature that prevents removal of the detector and removal of the base cover without using a tool.  
1. To eliminate this feature, break off the locking tab (refer to Figure 2), and then install the detector.

Figure 2: Eliminate the Locking Feature



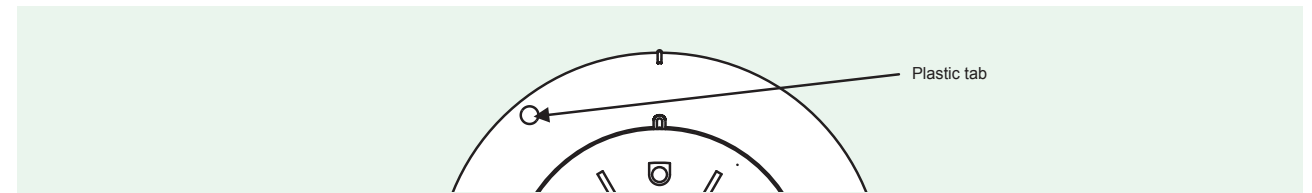
2. To remove the detector from the base once the locking feature has been activated, insert a small screwdriver into the slot on the base to push the plastic tab while simultaneously turning the detector head counter-clockwise (refer to Figure 3).

Figure 3: Removing of detector head from base



3. To remove the base cover from the lower enclosure once the locking feature has been activated, insert a small screwdriver into the slot on the base to push the plastic tab while simultaneously turning the detector head counter-clockwise (refer to Figure 4).

Figure 4: Removing of base cover from the lower enclosure.



#### Detector Base Mounting

Detector base should be mounted directly on the electrical box. The mounting holes are configured for a single gang, double gang, octagon or 4 inches square box.