

FIRU009-R-LED

LED-type Remote Annunciator

Features

- UL 864, 9th edition listed
- 16 zone status indicators
- 6 system status LEDs
- Built-in buzzer
- Buzzer silence switch / Visual indicator test switch
- Key lock anti-tamper protection for switch operation
- Surface mounting or near flush mounting applicable
- White or Red color enclosure
- One knockout each on top, bottom and back of enclosure
- Easy installation



Description

The FIRU009-R-LED is a LED remote annunciator for the Integlex Multicrest™ N3060 Fire Alarm Control Panel. The FIRU009-R-LED communicates, using a RS-485 connection, with the N3060 FACP and provides indications of Alarm, Supervisory, Trouble and other system statuses.

The FIRU009-R-LED is equipped with 16 zone status indicators with one each of Red LED and Yellow LED per indicator. The Red LED is for an alarm event and the Yellow LED is for a Supervisory event. When an alarm or a supervisory signal is initiated in a zone that is mapped to a zone status indicator(s) of the FIRU009-R-LED, the corresponding LED of the zone status indicator will be turned on. A maximum of 14 zones can be mapped to each zone status indicator. Zones for zone status indicators can be assigned in the PC-based Configuration Program.

The built-in buzzer audibly attracts the operator's attention during status change occurrence. The buzzer can be silenced by operating the Buzzer Silence Switch. The Buzzer Silence Switch can also be used for the Visual Indicator Test. The Visual Indicator Test can be started when the switch is pressed continuously for 5 seconds. The switch is only operable when the key lock is set to the enable position.

The RS-485 remote annunciator connection supports NFPA Class B (Style 4) wiring and a maximum length of 1.2 km (4000 ft). A maximum of 30 remote annunciators can be connected per N3060 FACP.

Each FIRU009-R-LED shall have a remote annunciator number for its identification in a system. The remote annunciator number shall be set by rotary switches in FIRU009-R-LED.

The FIRU009-R-LED requires 24 VDC input power to operate. The 24 VDC input power can be provided from the N3060 FACP or a remote power supply. The internal power supply of FIRU009-R-LED converts the 24 VDC input power to 5 and 3.3 V for use of the internal circuitry.

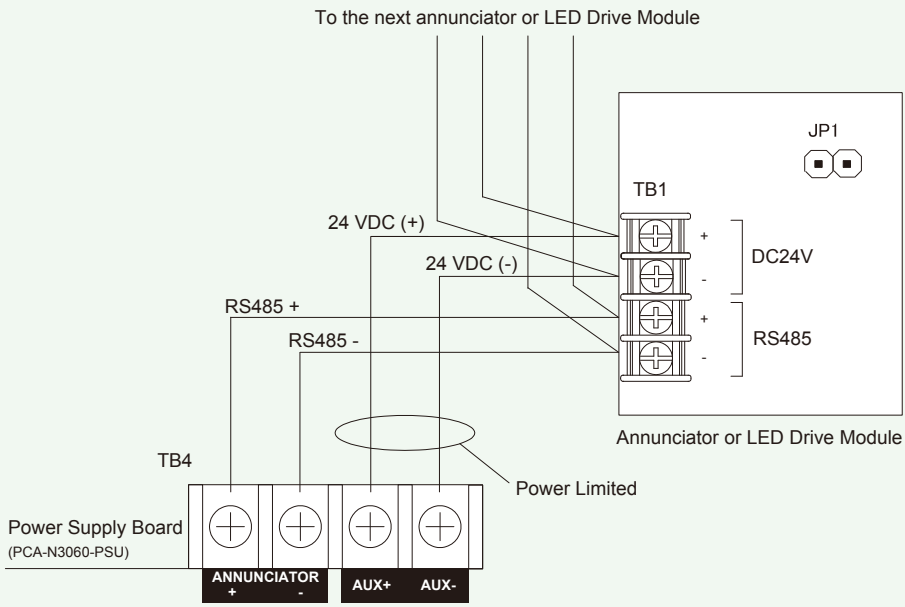
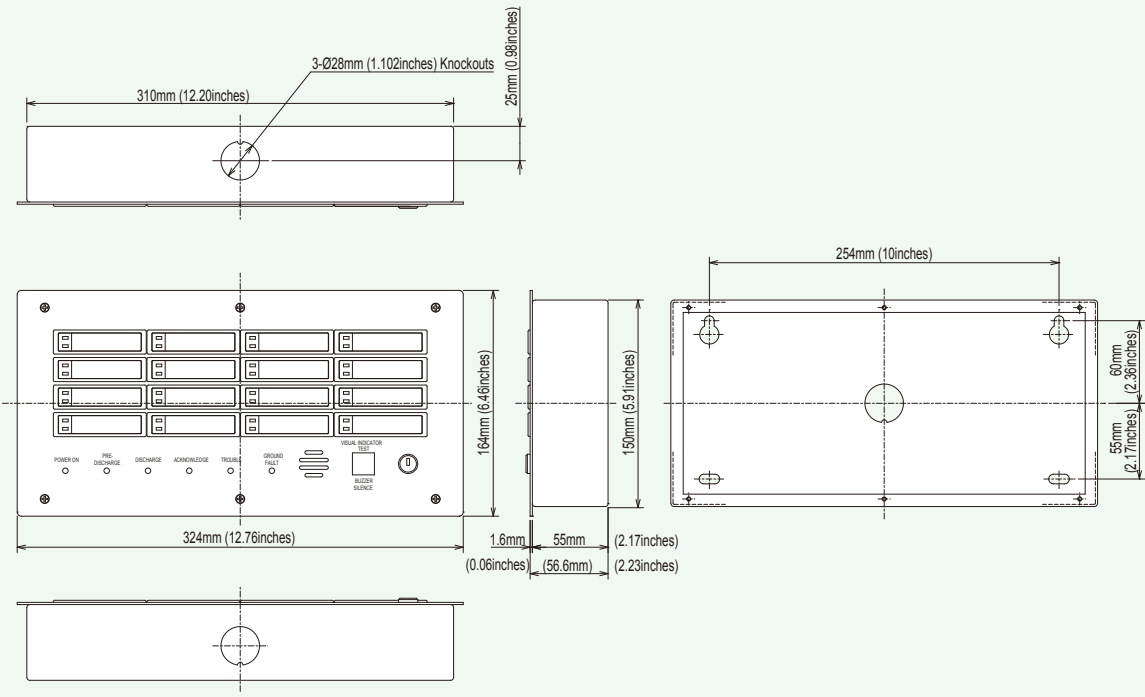
Operating information

Part No. PCA-N3060-LEDAN: Zone indication part

Part No. ECL-N3060-LEDAN-NW or R: Enclosure for LED-AN

Specifications

No.	Item	Specification
1	Maximum 24 VDC current	110 mA
2	Ambient operating temperature range	0 to 49°C (32 to 120 °F)
3	Maximum RA bus length	1.2 km (4000 ft)
4	Max. RA bus wiring resistance	40 Ω
5	Max. RA bus wiring capacitance	0.4 μF
6	Applicable baud rates of RA-Bus	2400, 4800, and 9600 bps
7	Annunciator buss wiring style	NFPA Class B (Style 4)
8	Maximum annunciator	30 units
9	Annunciator connection	RS-485
10	Enclosure Rating	NEMA – 1 (indoor use only)
11	Dimensions	164 mm (6.46")(H) x 324 mm (12.76")(W) x 57 mm (2.24")(D)



NOTE

- The information contained herein does not purport to cover all the details or variations of the equipment described, nor to provide for every possible contingency that may be met in connection with its installation, operation or maintenance.
- Specifications are subject to change without notice. Contact Nohmi before relying on the information.
- Actual performance is based on proper application of the product by a qualified professional.
- Should further information be required or should particular concerns arise that are not covered sufficiently for the purchaser's purposes, the matter should be referred to Nohmi or your nearest distributor.



• Head Office: 4-7-3 Kudan-Minami, Chiyoda-ku, Tokyo 102-8277, Japan
 • Phone: (81)3-3265-0231
 • F A X: (81)3-3265-5348
 URL <http://www.nohmi.co.jp/english/>

Contact