

FQIU004-SCI

SHORT CIRCUIT ISOLATOR



Features

- One simple LED for status indication
- Self-restoring LED indication
- Downsized unit
- Easy installation



Description

The Short Circuit Isolator (FQIU004-SCI) is used to provide additional reliability for a fire protection system by isolating a segment of an Signaling Line Circuit (SLC) in which a short circuit has occurred. This makes it possible for the remainder of the loop to provide normal monitoring functions. FQIU004-SCI employs one red LED to indicate the status. In normal condition, the LED is deactivated. When the short circuit is happened, FQIU004-SCI will cut off the short circuit and turn on the LED.

Ordering Information

Model no. FQIU004-SCI

Specifications

No.	Item	Specification
1	Rated voltage range of SLC input power (S+, S-)	22.0 to 24.0V
2	Maximum SLC 24 VDC standby current (S+, S-)	250 μ A
3	Maximum SLC 24 VDC alarm current (S+, S-)	1.80mA
4	Internal Resistance	0.1 Ω
5	Wiring resistance or wiring after a SCI in Class B (style 4)	10 Ω
6	Wiring resistance or wiring between a SCI and another SCI in Class A (style 6 and 7)	10 Ω
7	Maximum no. of addressable device connected to a SCI	50 units
8	Operating temperature range	0°C to 49°C (32°F to 120°F)
9	Operating humidity range	0 to 93% (non-condensing)
10	Dimensions	106mm (4.17 inches) (H) \square 106mm (4.17 inches) (W) \square 29mm (1.14 inch) (D)
11	Applicable electrical box for installation	North American 64mm (2-1/2 inches) deep 2-gang box Standard 4 inches square box 38mm (1-1/2 inch) deep box

Installation

Figure 1: Installation into the compatible electrical box

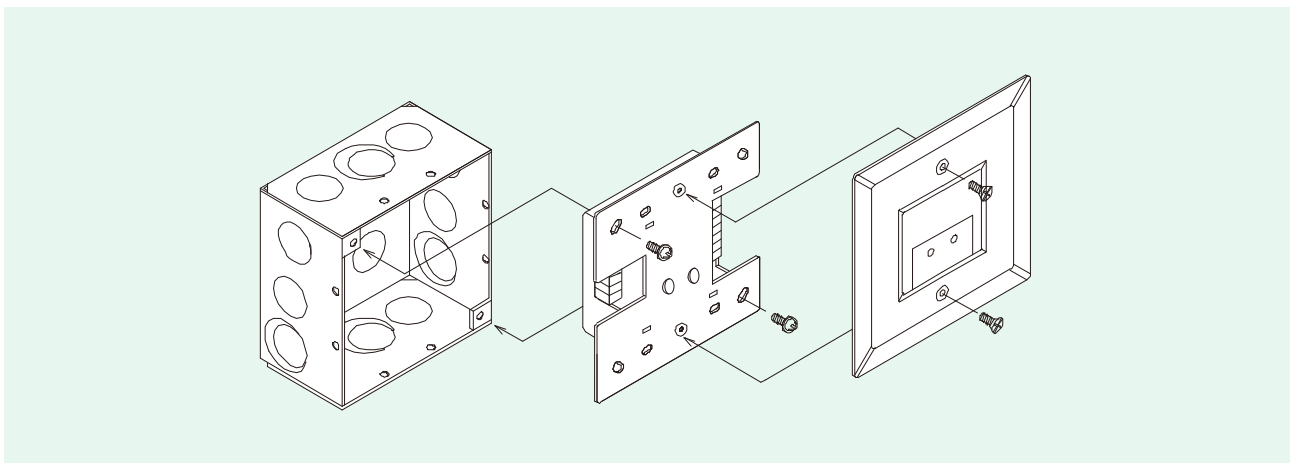


Figure 2: NFPA Class B (Style 4) Wiring Configuration

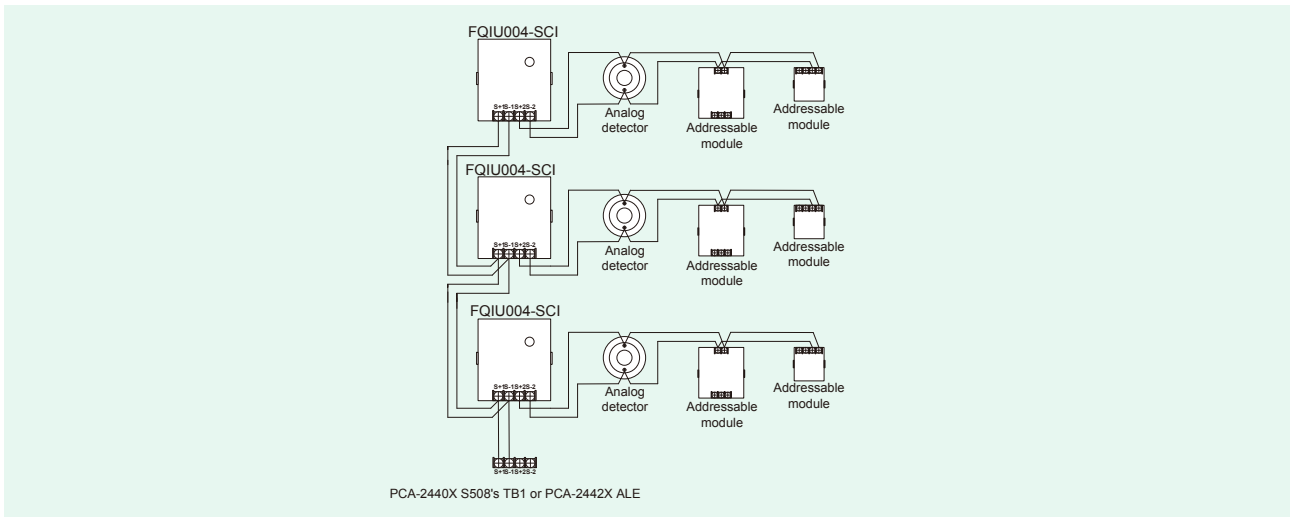
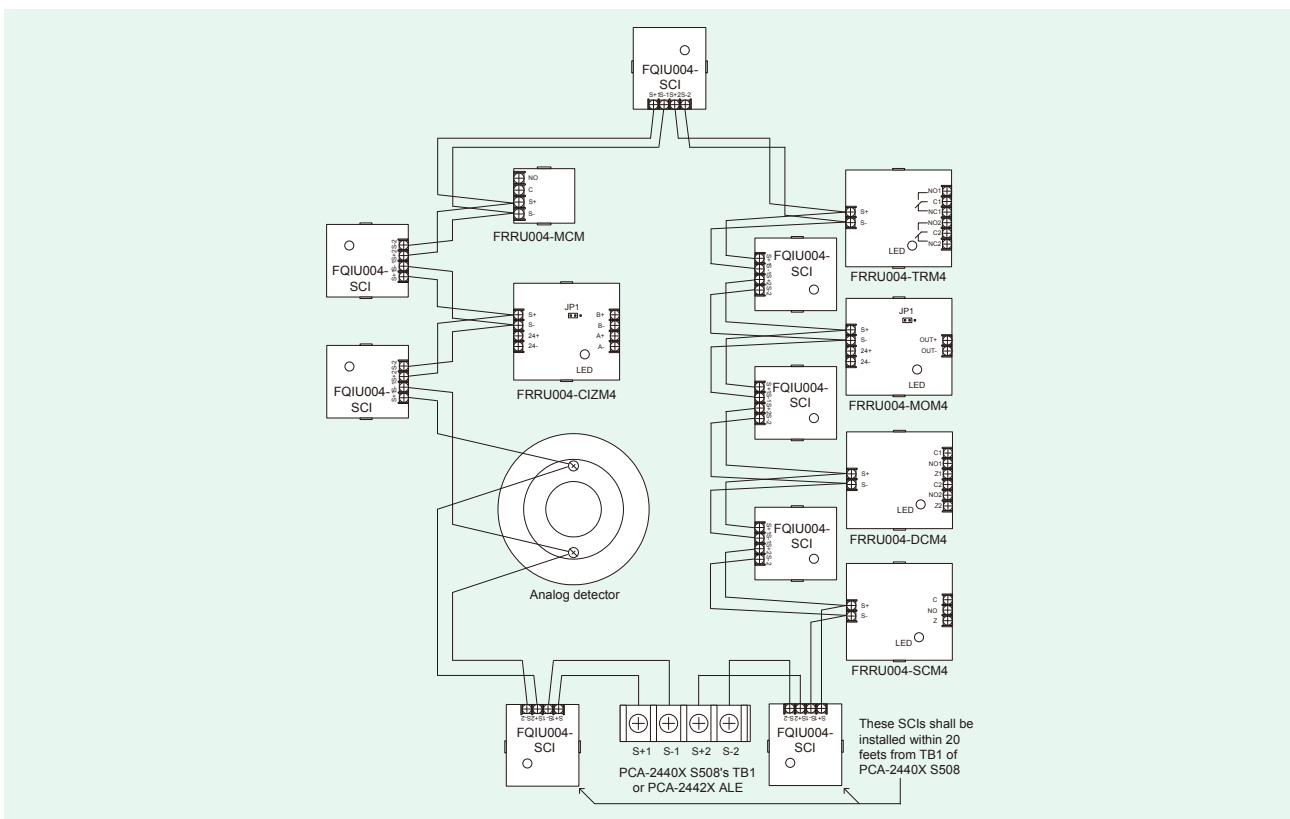


Figure 3: NFPA Class A (Style 7) Wiring Configuration



NOTICE

- These instructions do not purport to cover all the details or variations in the equipment described, nor provide for every possible contingency to be met in connection with installation, operation and maintenance.
- Specifications are subject to change without notice. Contact Nohmi before relying on above specifications.
- Actual performance is based on proper application of the product by a qualified professional.
- Should further information be desired or should particular problems arise, which are not covered sufficiently for the purchaser's purpose, the matter should be referred to Nohmi or a distributor in your region.



• Head Office: 4-7-3 Kudan-Minami, Chiyoda-ku, Tokyo
102-8277, Japan
• Phone: (81)3-3265-0231
• F A X: (81)3-3265-5348
URL <http://www.nohmi.co.jp/english/>

Contact