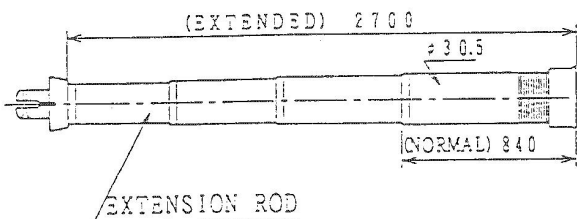
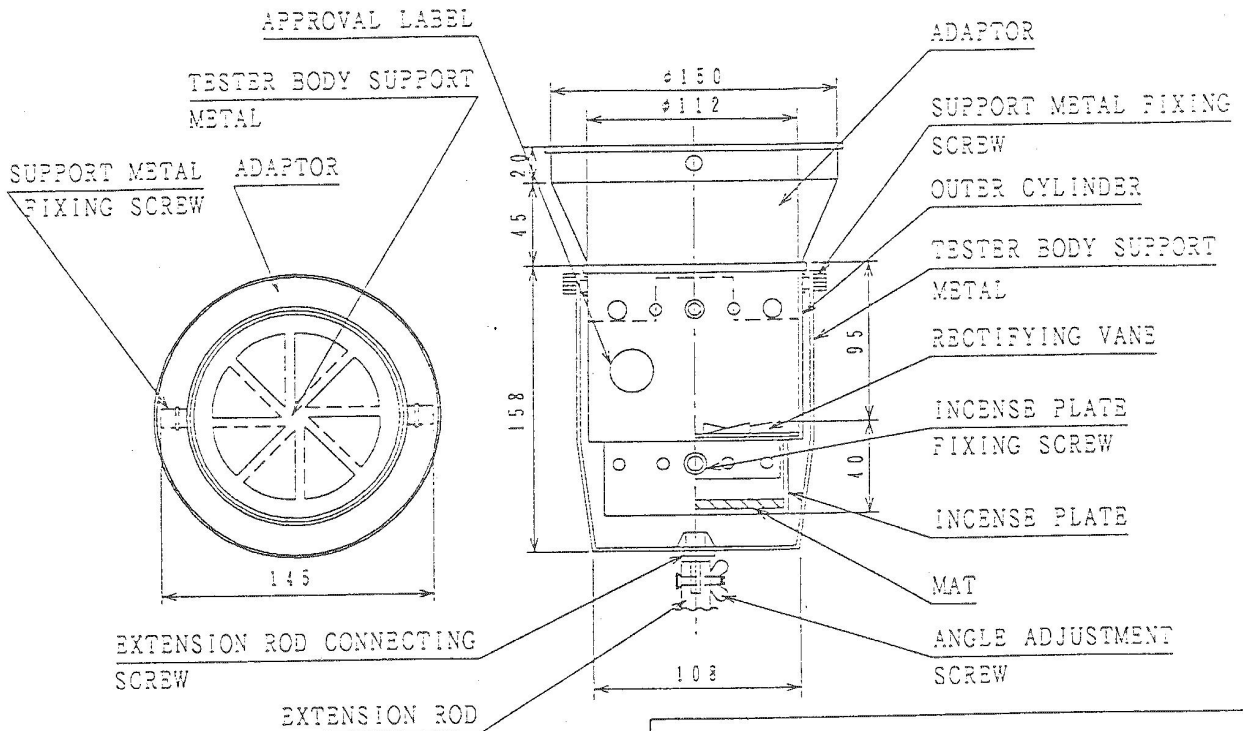


SPECIFICATIONS

- (A) CLASSIFICATION: SMOKE DETECTOR TESTER
 (B) TYPE APPROVAL NO : TS-025
 (C) MAIN MATERIAL: (TESTER BODY) ALUMINUM
 (INCENSE PLATE) STAINLESS STEEL
 (ADAPTOR) ALUMINUM
 (EXTENSION ROD) GLASS FIBER
 (D) FUMING MATERIAL: SPIRAL INCENSE STICK (STANDARD FUMING TIME: 4 HOURS PER STICK)
 (E) APPLICABLE DETECTORS: IONIZATION SPOT TYPE AND PHOTOELECTRIC SPOT TYPE DETECTORS
 (F) MAX INSTALLATION HEIGHT OF DETECTOR WHICH CAN BE TESTED: CEILING HEIGHT OF 40=
 (G) STANDARD FUMING TIME: ABOUT 4 HOURS (ONE STICK)
 (H) RESPONSE TIME: ORDINARY TYPE DETECTOR (CLASS 1) WITHIN 30 SEC
 (CLASS 2) WITHIN 60 SEC
 (CLASS 3) WITHIN 90 SEC
- WITH RESPECT TO THE DELAYED-ACTION TYPE DETECTORS, THE NOMINAL ALARM VERIFICATION TIME AND 5 SECONDS SHALL BE ADDED TO THE ABOVE TIMES
- (I) WEIGHT: (BODY) APPROX 330g
 (EXTENSION ROD) APPROX 450g
- (NOTE) 1. THE EXTENSION ROD WILL BE SUPPLIED WHEN ORDERING THE TESTER AS ASSEMBLY
 2. THE ADAPTOR IS USED WHEN THE SMOKE DETECTOR IS LARGER THAN THE OUTER CYLINDER
 (DETECTOR MODEL FA-5N-2L)



MODEL HKS-2			
SMOKE DETECTOR TESTER			
UNIT : mm	DESIGNED BY	TRACED BY <i>T. M. Masuda</i>	
SCALE: /	CHECKED BY	APPROVED BY <i>K. Negawa</i>	
DATE : JULY. 30. '93	DWGNO	HKS6049E \diamond	NO.
NOHMI BOSAI LTD.			

CKF00566