

FIRU004-LCD LCD REMOTE ANNUNCIATOR

Features

- System control functionality equivalent to FACP
- Downsized and lightweight unit
- 20 letters x 4 lines LCD unit
- 10 status LEDs
- 6 system control switches, ten-key, and arrow keys
- Key lock switch to protect system control switch operation
- Built-in buzzer
- Red color
- Easy installation



Description

The FIRU004-LCD is a LCD remote annunciator for the Integlex Multicrest™ S508 Fire Alarm Control panel. The FIRU004-LCD communicates using a RS-485 connection to the main panel providing common indication of Alarms, Supervisory, Trouble and other system status and control functions. The FIRU004-LCD features a 20x4 LCD display with LED's for Power, Alarm, Supervisory, Trouble, and Silenced conditions. It can be mounted on a 2-gang electrical box or a standard 4" square electrical box. The keypad is only operable when a key-locked security switch is set to the enable position.

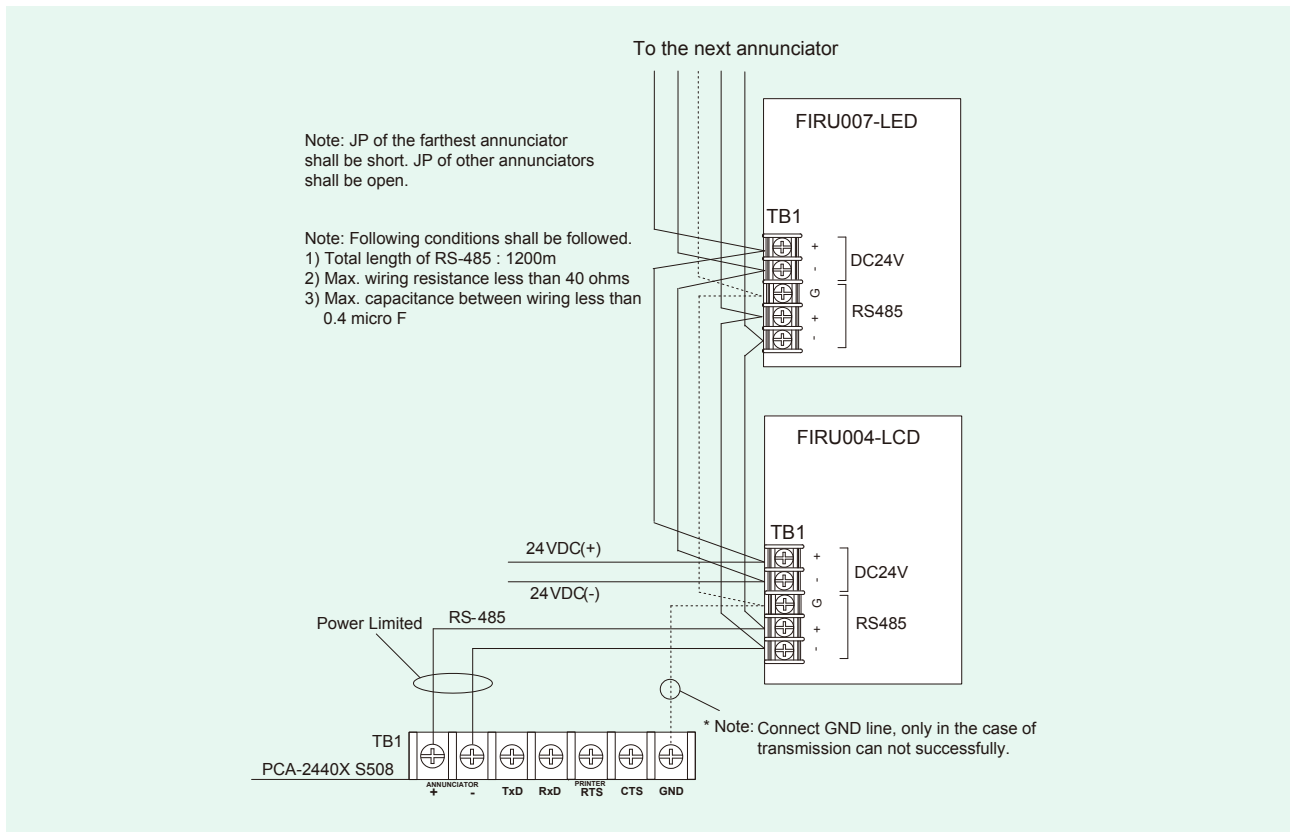
Specifications

No.	Item	Specification
1	Maximum 24 VDC current	65 mA
2	Ambient operating temperature range	0°C to 49°C (32°F to 120°F)
3	Applicable baud rates of RA-Bus	2400, 4800, and 9600bps
4	Annunciator buss wiring style	NFPA Class B (Style 4)
5	Maximum remote annunciator	31 units
6	Remote annunciator connection	RS-485
7	Enclosure Rating	NEMA – 1 (indoor use only)
8	Dimensions	150mm (5.91 inches) (H) x 178mm (7.01 inches) (W) x 38.2mm (1.50 inch) (D)
9	Applicable electrical box for installation	North American 64mm (2-1/2 inches) deep 2-gang box Standard 4 inches square box 38mm (1-1/2 inch) deep box

Wiring Diagram

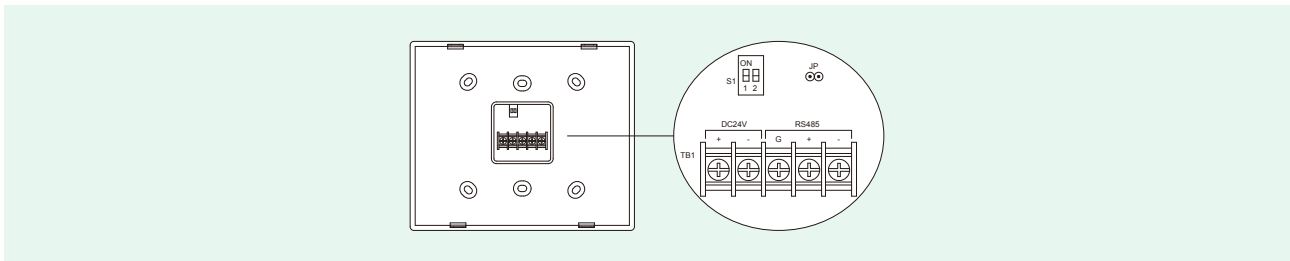
The FIRU004-LCD is connected to the S508 using a four wire RS-485 connection. The connection is power limited and supervised. Up to thirty-one (31) remote annunciators can be connected using NFPA Class B (Style 4) wiring.

FIRU004-LCD Class B Wiring Example



Annunciator Address Settings

1) Switch 1 of Dip Switch S1 set on, after that input 24 VDC to TB1.



2) The FIRU004-LCD shows LCD display as follows. Set the assigned number by 0 -9 key. After that, push ENT key.

3) Switch 1 of Dip Switch S1 set off, FIRU004-LCD will proceed to initializing.

NOTICE

- These instructions do not purport to cover all the details or variations in the equipment described, not provide for every possible contingency to be met in connection with installation, operation and maintenance.
- Specifications are subject to change without notice. Contact Nohmi before relying on above specifications.
- Actual performance is based on proper application of the product by a qualified professional.
- Should further information be desired or should particular problems arise, which are not covered sufficiently for the purchaser's purpose, the matter should be referred to Nohmi or a distributor in your region.

NOHMI
NOHMI BOSAI LTD.

• Head Office: 4-7-3 Kudan-Minami, Chiyoda-ku, Tokyo
102-8277, Japan

• **Phone: (81)3-3265-0231**

• **F A X: (81)3-3265-5348**

URL <http://www.nohmi.co.jp/english/>

Contact